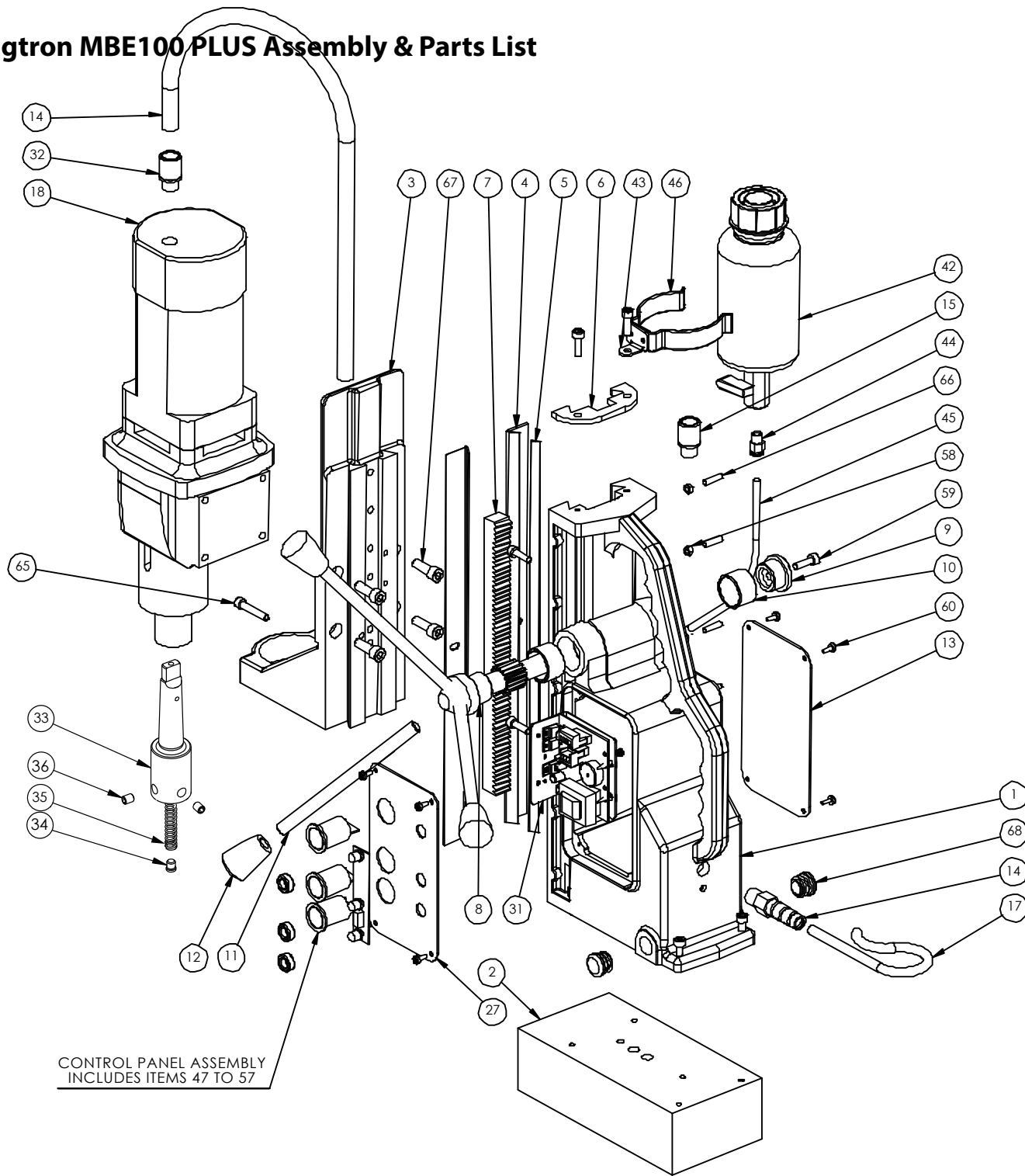
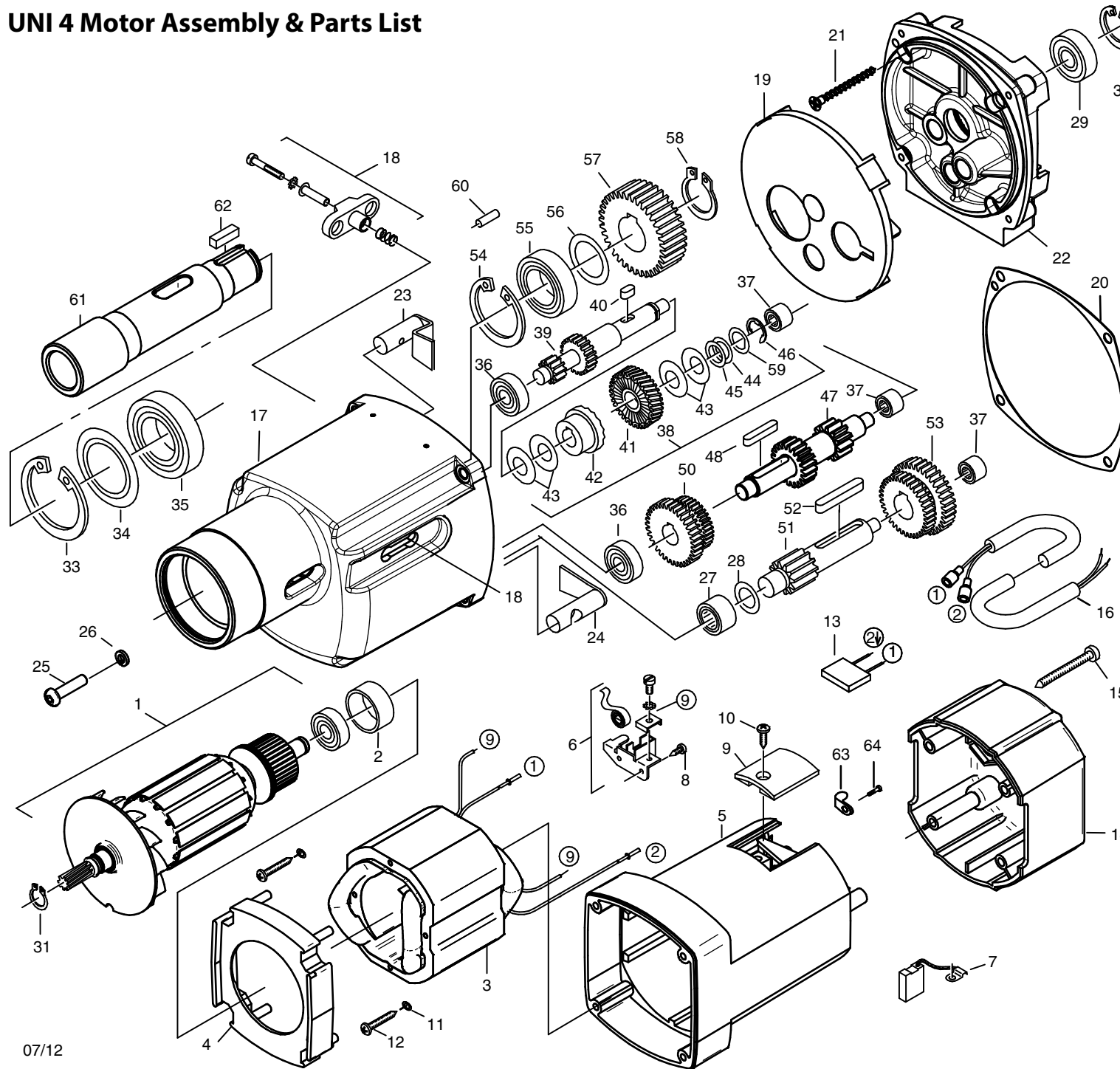


Magtron MBE100 PLUS Assembly & Parts List



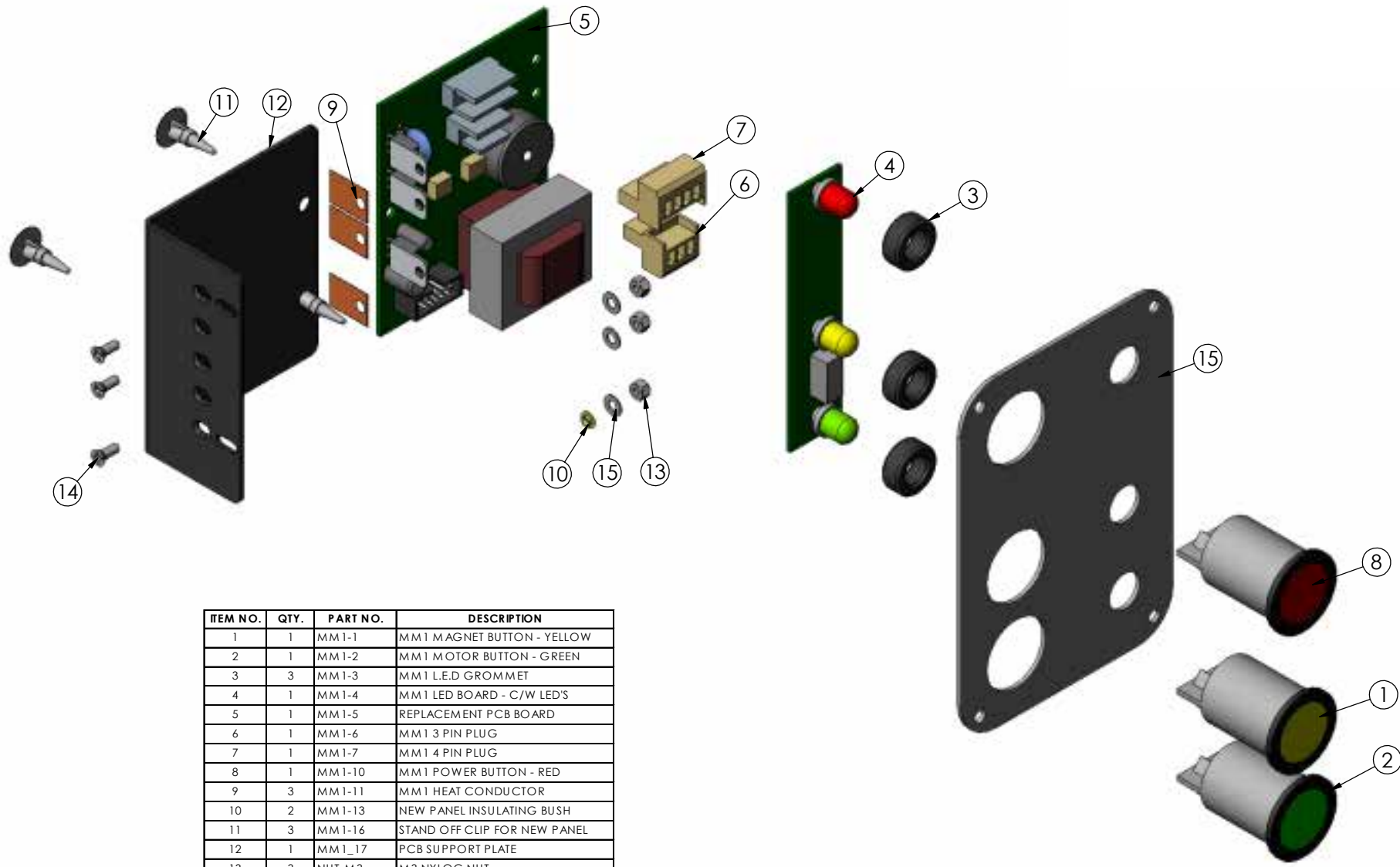
ITEM NO	PART NO	DESCRIPTION	QTY
1	M0005F	MT50 BODY (ORANGE)	1
2	M0033	MAGNET BASE (LARGE)	1
3	20355	EIBENSTOCK CRADLE	1
4	M0103	BRASS RAIL (MT50)	2
5	M0442	G.F.S. (MT50)	1
6	M0813	TOP PLATE (MAGTRON DOVETAIL)	1
7	M0833	RACK (MT50)	1
8	M0042	PINION - MAGTRON (LARGE)	1
9	M0071	PINION END CAP (SHALLOW)	1
10	M0081	BUSH (PINION)	2
11	20346	HANDLE (12mm LARGE)	3
12	10082	HANDLE KNOB (12mm KNOCK ON)	3
13	M0224	WARNING PLATE (MT50)	1
14	M0443	CONDUIT (MAGTAP M13)	1
15	10231	M16 STRAIN RELIEF CABLE GLAND	1
16	40026	M16 PUSH FIT GLAND	1
17	10237-1	CABLE YELLOW (110V)	1
17	KBL 01	CABLE BLACK (240V)	1
18	EIB23	EIBENSTOCK UNI 4 DRILL - 110V	1
18	EIB24	EIBENSTOCK UNI 4 DRILL - 240V	1
18	EIB25	EIBENSTOCK UNI 4 FR DRILL - 110V	1
18	EIB26	EIBENSTOCK UNI 4 FR DRILL - 240V	1
19	STRAP01	POLYESTER WEBBING SAFETY STRAP	1
20	KEY01	ALLEN KEY 2.5MM	1
21	KEY03	ALLEN KEY 4MM	1
22	KEY04	ALLEN KEY 5MM	1
23	DRIF02	DRIFT (No.3 M/TAPER)	1
24	CASE14	CARRYING CASE UNIBOR - PLASTIC	1
25	BOX01	BOX (UNIBOR SLEEVE)	1
26	VISO10	SAFETY GUARD (UNI 3)	1
27	M0242N	LARGE SWITCH PLATE NEW	1
28	10093	M6 X 35 GUARD THUMB SCREW	2
29	10094	M6 GUARD SPACER	2
30	10089	LARGE 2 LEG GUARD GUIDE	2
31	MM1-17	PCB SUPPORT PLATE	1
32	40025	PG9 PUSH FIT GLAND	1
33	ARBO03-A	No3 MT ARBOR BODY	1
34	10205A	ARBOR EJECTION PLUG (M/TAPER)	1
35	SPRI01	ARBOR SPRING (M/TAPER)	1
36	10073	M10 X 10 SET SCREW (FLAT POINT)	2
42	30046	LARGE OIL CUP ASSEMBLY	1
43	10076C	OILFEED BRACKET	1
44	50015C	1/8" BSP - 6MM PUSH FIT CONNec	2
45	BD029	6mm OIL PIPE (OIL FEED ASSY)	1
46	10076	OIL CUP RETAINING CLIP	1
47	MM1-1	MM1 MAGNET BUTTON - YELLOW	1
48	MM1-2	MM1 MOTOR BUTTON - GREEN	1
49	MM1-10	MM1 POWER BUTTON - RED	1
50	MM1-3	MM1 L.E.D. GROMMET	3
51	MM1-4	MM1 LED BOARD - C/W LEDs	1
52	MM1-5	MM1 REPLACEMENT PCB	1
53	MM1-6	MM1 3 PIN PLUG	1
54	MM1-7	MM1 4 PIN PLUG	1
55	MM1-11	MM1 HEAT CONDUCTOR	3
56	MM1-16	STAND OFF CLIP FOR NEW PANEL	3
57	MM1-13	NEW PANEL INSULATING BUSH	2
58	M5-NUT	M5 NUT	5
59	SC620CAP	M6 x 20 CAP SCREW	9
60	SC3TAP	M3 SELF TAPPING SCREW	8

UNI 4 Motor Assembly & Parts List



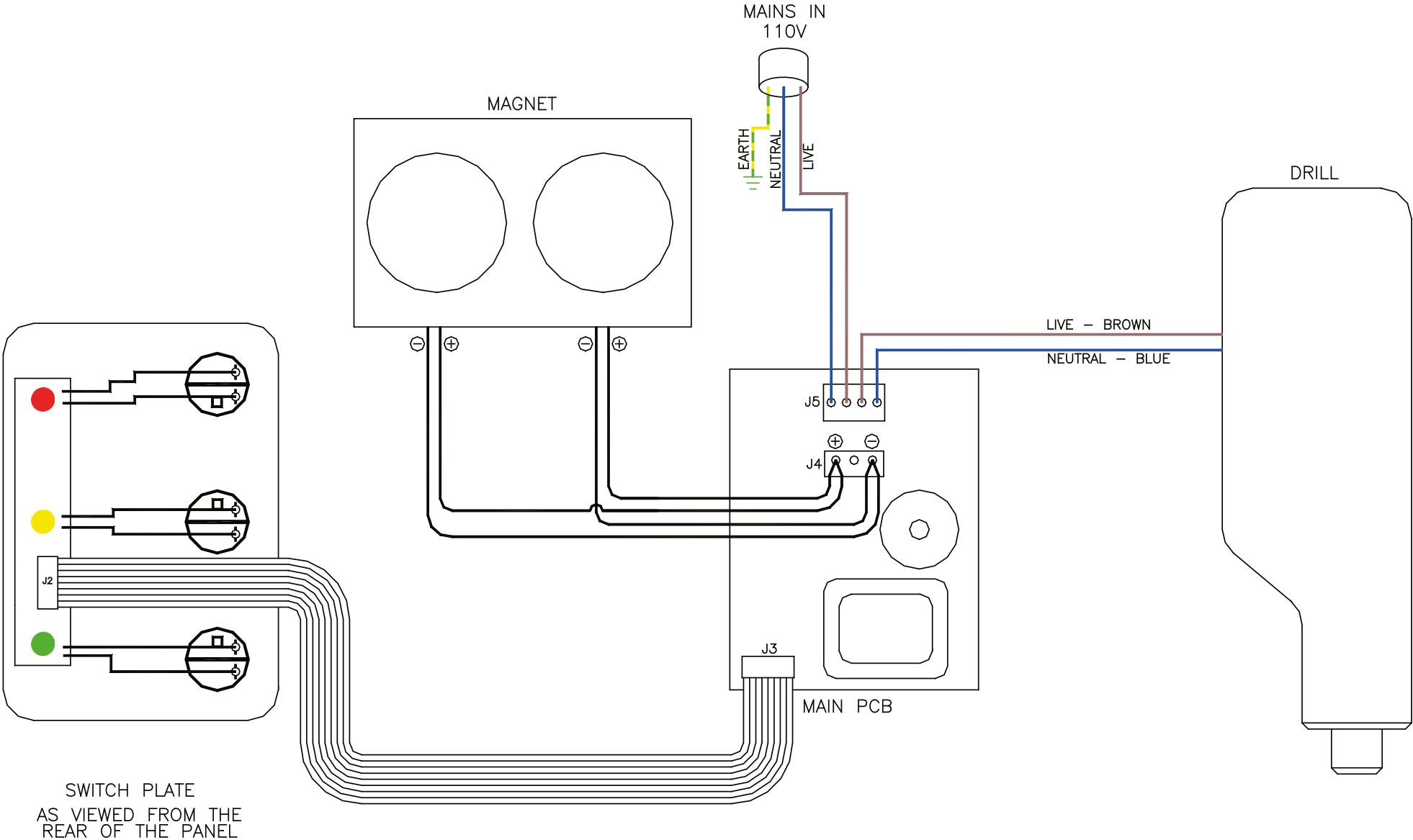
Nr.	Description	Qty	Part No.
1	Armature 240V	1	EIB357
1	Armature 110V	1	EIB357-1
2	Uni3/4 Armature Bearing Cap	1	EIB194
3	Field Coil 240V	1	EIB360-2
3	Field Coil 110V	1	EIB360-1
4	Fan cover	1	EIB362
5	Motor Housing	1	EIB019
6	Brush Holder	2	EIB036
7	Carbon Brush	2	EIB047
8	Screw HC 2,9x13	4	EIB196
9	Brush Cover	2	EIB020
10	Screw HC 4,2x13	2	EIB154
11	Spring Washer S6	2	EIB197
12	Screw HC 4,2x25	2	EIB155
13	Capacitor	1	EIB139
14	Drill Cap	1	EIB364
15	Screw HC 4,8x50	4	EIB157
17	Gear Box Housing	1	EIB365
18	Gear Change Assembly	2	EIB017
19	Gear Plate Shield	1	EIB366
20	Gear Box Gasket	1	EIB367
21	Screw 4,5x50	4	EIB368
22	Gear Plate	1	EIB369
23	Gear Lever	1	EIB370
24	Gear Lever	1	EIB371
25	Screw M5x2,5	4	EIB372
26	M5 Spring Washer	4	EIB082
27	Needle Bearing RNA 4900	1	EIB162
28	Washer	1	EIB163
29	Bearing "6201 2RS	1	UDC024
30	Circlip 32/1,2	1	EIB043
31	Circlip11,1	1	EIB143
33	Circlip 55/2	1	EIB374
34	Washer	1	EIB375
35	Bearing 6006 2RS	1	UDC007
36	Bearing 6000	2	UDC001
37	Needle Bearing HK 0810	3	UDC020
38	Clutch Gear assembly	1	EIB373
39	Trailer Gear	1	EIB378
40	Fitting Key 5x5x10	1	EIB146
41	Clutch Gear - Worm Drive (standard)	1	EIB060
41	Clutch Gear - Straight Drive (FR only)	1	EIB060-A
42	Clutch Coupling	1	EIB015
43	Washer 28/12,2x1	4	EIB147
44	Thrust Washer	1	EIB379
45	Washer 12/18x2,0	1	EIB148
46	Circlip 9	1	EIB149
47	Trailer Gear	1	EIB380
48	Fitting Key A5x5x28	1	EIB034
50	Gear Block	1	EIB381
51	Trailer Gear	1	EIB382
52	Fitting Key A6x6x40	1	EIB383
53	Gear Block	1	EIB384
54	Circlip 47/1,75	1	EIB385
55	Bearing 6005 2RS	1	UDC005
56	Compressor Ring 25x0,1	1	EIB165
57	Main Gear	1	EIB016
58	Circlip 24/1,2	1	EIB041
59	Thrust Washer	1	EIB386
60	Locating Dowell 5x16	1	EIB387
61	Spindle	1	EIB388
62	Key B6x6x20	1	EIB164
63	Eibenstock Cable Clip	1	EIB085
64	Screw HC 4,2x19	1	EIB359

Magtron MBE100 PLUS Electronic Switchplate (Panel P) Dual voltage



ITEM NO.	QTY.	PART NO.	DESCRIPTION
1	1	MM1-1	MM1 MAGNET BUTTON - YELLOW
2	1	MM1-2	MM1 MOTOR BUTTON - GREEN
3	3	MM1-3	MM1 L.E.D GROMMET
4	1	MM1-4	MM1 LED BOARD - C/W LED'S
5	1	MM1-5	REPLACEMENT PCB BOARD
6	1	MM1-6	MM1 3 PIN PLUG
7	1	MM1-7	MM1 4 PIN PLUG
8	1	MM1-10	MM1 POWER BUTTON - RED
9	3	MM1-11	MM1 HEAT CONDUCTOR
10	2	MM1-13	NEW PANEL INSULATING BUSH
11	3	MM1-16	STAND OFF CLIP FOR NEW PANEL
12	1	MM1_17	PCB SUPPORT PLATE
13	3	NUT-M3	M3 NYLOC NUT
14	3	SC36CSK-X	M3 X 6 C'SINK CROSS HEAD SCREW
15	1	-	PANEL FACIA PLATE

Magtron MBE100 PLUS Electronic Switchplate (Panel P) Wiring Diagram (110v)



Magtron MBE100 PLUS Electronic Switchplate (Panel P) Wiring Diagram (240v)

