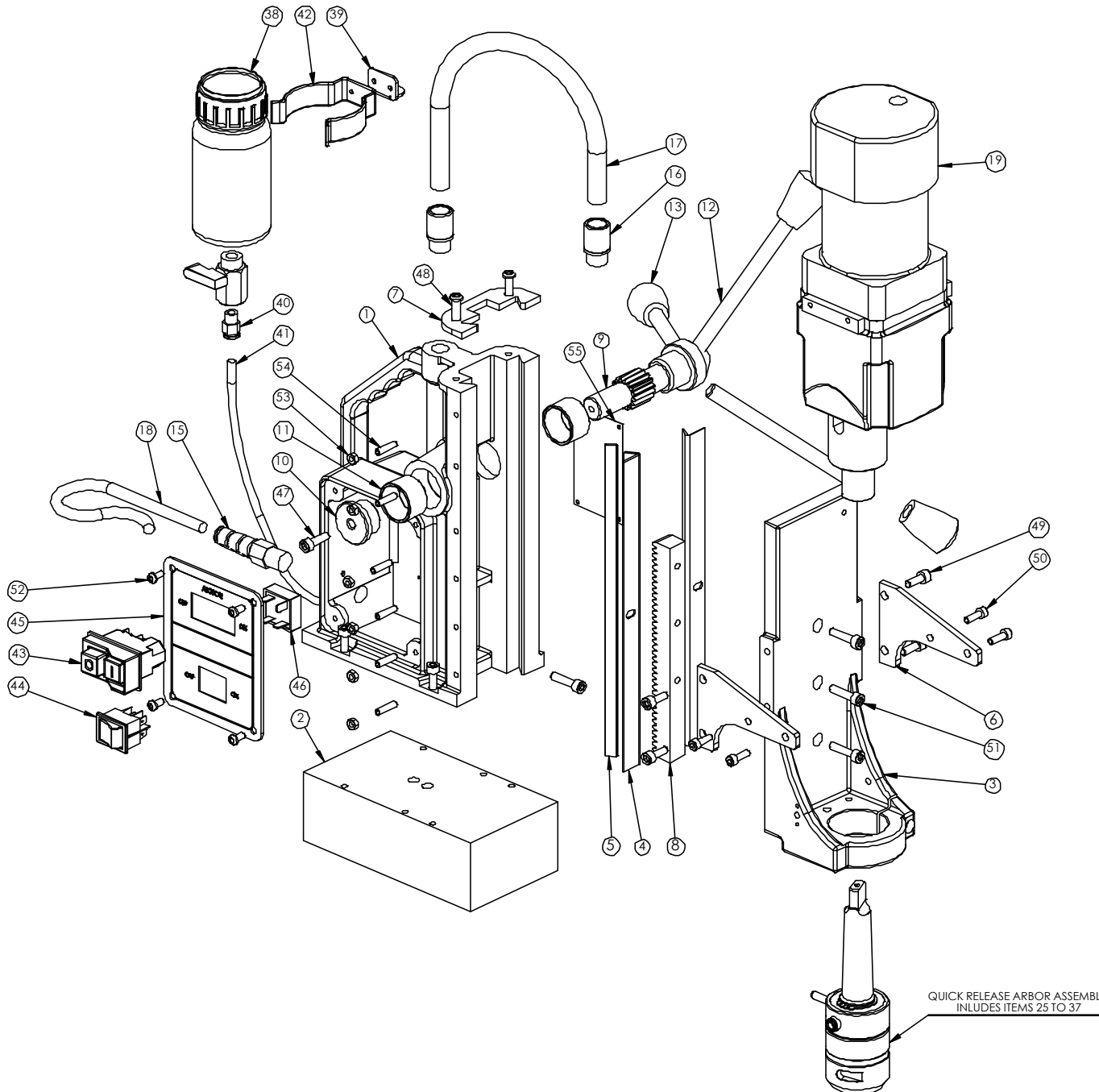


# MBQ50 Assembly & Parts List

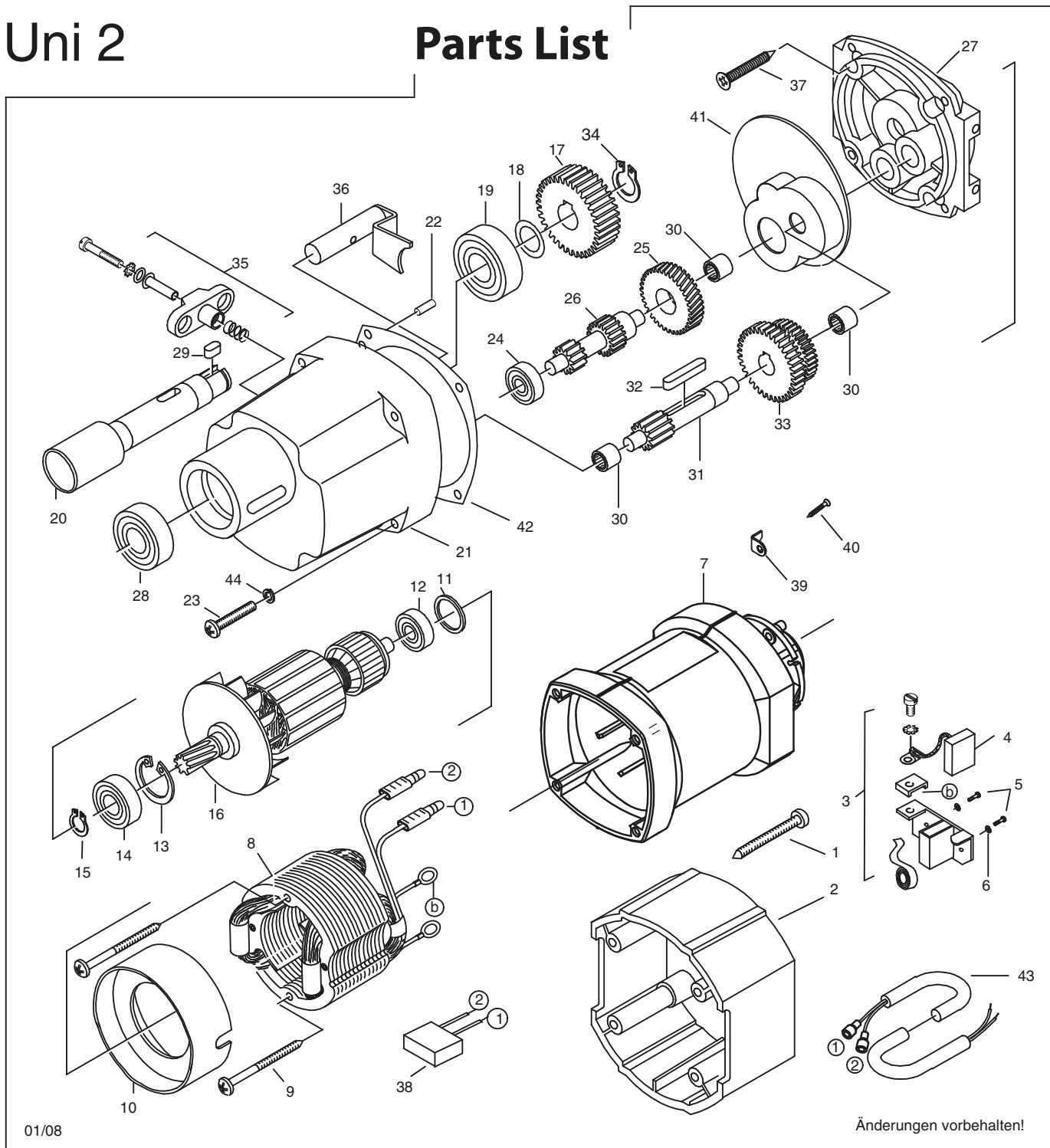


N.B. SAFETY GUARD (VISO09) IS NOT SHOWN

ITEM NO	PART NO	DESCRIPTION	QTY
1	20348BLU	BODY MINIBOR 1332	1
2	M0034	MAGNET BASE (MIDI)	1
3	20145	CRADLE - UNI 2	1
4	60100A	MINIBOR BRASS STRIP (ANGLED)	2
5	20389	G.F.S. (MINBOR)	1
6	10362	UNI 2 SIDE BRACKET	2
7	10084	TOP PLATE (UNIBOR)	1
8	10215	RACK (MINIBOR)	1
9	M0042	PINION - MAGTRON (LARGE)	1
10	M0072	PINION END CAP (DEEP)	1
11	M0081	BUSH (PINION)	2
12	10081	HANDLE (12mm SMALL)	3
13	10082	HANDLE KNOB (12mm KNOCK ON)	3
14	10101	WARNING PLATE (UNIBOR)	1
15	10231	M16 STRAIN RELIEF CABLE GLAND	1
16	40026	M16 PUSH FIT GLAND	1
17	M0443	12mm CONDUIT (BLACK)	1
18	CABL01	BLACK RUBBER CABLE	1
19	EIB02R	EIBEN UNI 2 DRILL - 240V (RAIL)	1
20	VISO09	SAFETY GUARD (UNI 2)	1
21	10099	M6 x 16 GUARD THUMB SCREW	2
22	10094	M6 GUARD SPACER	2
23	40025	PG9 PUSH FIT GLAND	1
24	10095	SMALL 2 LEG GUARD GUIDE	2
25	ARBQR-02	QUICK RELEASE ARBOR COLLAR	1
26	ARBQR-03	QUICK REL ARBOR LOCK SHOE	1
27	ARBQR-04	Q/RELEASE COLLAR SPRING	1
28	ARBQR-05	QUICK REL ARBOR TOR SPRING	2
29	ARBQR-06	20mm O/D x 4mm NITRILE O RING	1
30	SPRI01	ARBOR SPRING (M/TAPER)	1
31	10205A	ARBOR EJECTION PLUG (M/TAPER)	1
32	CCP-38V	38 O/D V INTERNAL CIRCLIP	1
33	M0505-A	2 M/T Q/R ARBOR BODY	1
34	OILQR01	OIL RING QUICK RELEASE	2
35	M0066	6mm PUSH FIT FITTING	1
36	OILQR02	BS216 O RING	1
37	OILQR03	M6 STOP ROD	1
38	30046B	SMALL OIL CUP ASSEMBLY	2
39	10060	OILFEED BRACKET	1
40	50015A	1/8" BSP - 6mm PUSH FIT CONNECTION	1
41	50013A	6mm OIL PIPE (OIL FEED ASSY)	1
42	10076	OIL CUP RETAINING CLIP	1
43	NCP002	DRILL STOP/START SWITCH - 230V	1
44	NCP006	MAGNET SWITCH - NCP PANEL	1
45	NCP12	NCP SWITCH PLATE BLANK	1
46	M0401	25A - BRIDGE RECTIFIER	1
47	SC620CAP	M6 x 20 CAP SCREW	1
48	SC620BUT	M6 x 20 BUTTON HEAD SCREW	2
49	SC616CAP	M6 x 16 CAP SCREW	4
50	SC516CAP	M5 x 15 CAP SCREW	4
51	SC625CAP	M6 x 25 CAP SCREW	4
52	SC510BUT	M5 x 10 BUTTON HEAD SCREW	4
53	NUT-M5	M5 NUT	6
54	SC520GRUB	M5 x 20 GRUB SCREW	7
55	10100	WARNING PLATE	1

# Uni 2

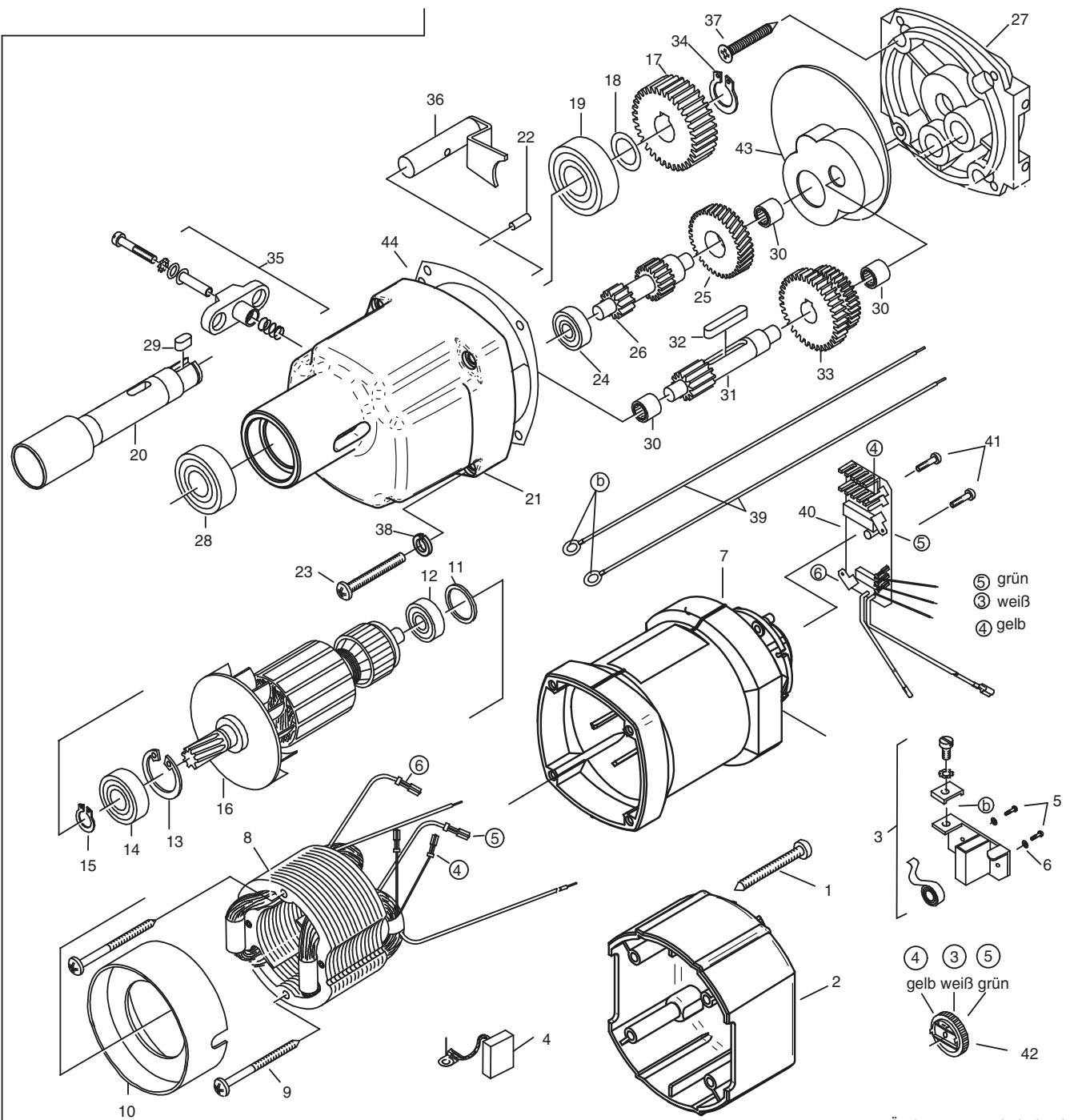
## Parts List



### UNI II - 230V/110V

ITEM No	DESCRIPTION	No:	UDCE STOCK CODE
1	Self tapping screw HC4.8x50	80201284	EIB157
2	Drill Cap (non var spd)	74222240	EIB028
3	Complete brush holder	80201196	EIB035B
4	Carbon brush (SINGLE)	80700013	EIB046A
5	Screw ZM4x12	80201180	EIB173
6	Washer B4	80201385	EIB172
7	Motor Housing	7122A200	EIB051B
8	<b>Field Coil 240V</b>	<b>74222150</b>	<b>EIB056C-2</b>
8	<b>Field Coil 110V</b>	<b>74223150</b>	<b>EIB056C-1</b>
9	Self tapping screw C3.9 x 60	80201266	EIB038
10	Fan Cover	71323140	EIB001
11	O-Ring	83000036	EIB048
12	608 z Bearing	*****	UDC009
13	Circlip 28/1.2	80201333	EIB042
14	6001 2Z Bearing	*****	UDC002
15	Circlip 11/1	80201320	EIB143
16	<b>Armature 240V</b>	<b>7122A100</b>	<b>EIB052-4</b>
16	<b>Armature 110V</b>	<b>7122D100</b>	<b>EIB052-1</b>
17	Main Drive Gear	71323430	EIB004
18	washer 15/22 x 0.2	80200502	EIB061
19	6203 Bearing	*****	UDC014
20	Spindle MT2	71323420	EIB003
21	Gear Box	74222400	EIB002
22	Dowel 4 x 12	80200582	EIB179
23	Screw	80201206	EIB037
24	608 Bearing	*****	UDC009
25	Spur Gear	7132A470	EIB006
26	Twin Geared Shaft	71323500	EIB007
27	Gear Plate	74222610	EIB027
28	6904 Bearing	*****	UDC019
29	Key A5x5x12	80200601	EIB034
30	HK0810 Bearing	*****	UDC020
31	Trailer Gear	71223460	EIB131
32	Key A5x5x28	80200602	EIB034
33	Double Gear	71323440	EIB132
34	Circlip Ext 15mm	80201322	EIB040
35	Gera Change Assembly	71540545	EIB017
36	Gear Lever	71323520	EIB008
37	C/SK screw	80201296	EIB084
38	Supressor	80500010	EIB156
39	Cable Clip	80600164	EIB085
40	Screw HC 2.9 x 13	80201252	EIB196
41	Gear Plate Shield	80900119	EIB083
42	Gear Box Gasket	82000054	EIB086
43	Cable	74322340	*****
44	Spring Washer 5mm	80201302	EIB087

# UNI 2 (Forward/Reverse) Parts List



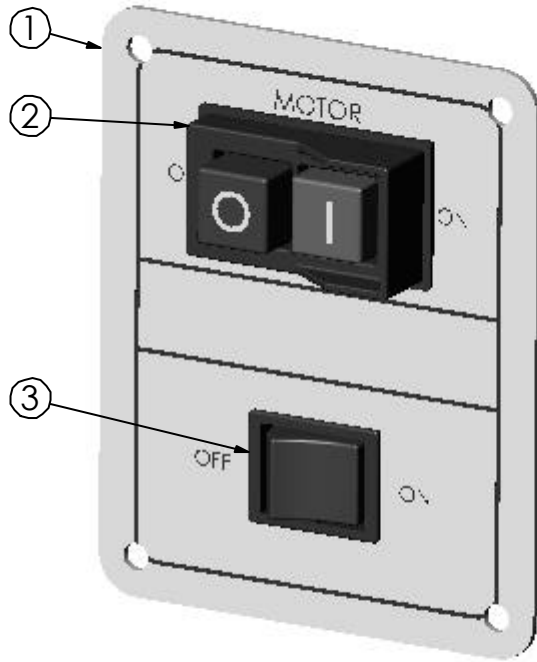
08/08

Änderungen vorbehalten!

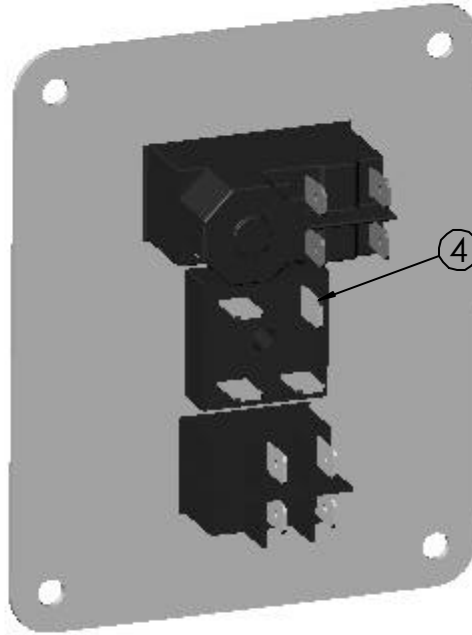
## UNI 2 F/R 230V/110V

ITEM No	DESCRIPTION	No:	UDCE STOCK CODE
1	Self tapping screw HC4.8x50	80201284	EIB157
2	Drill Cap (var spd)	74224240	EIB
3	Complete brush holder	80201196	EIB035B
4	Carbon brush (SINGLE)	80700013	EIB046A
5	Screw ZM4x12	80201180	EIB173
6	Washer B4	80201385	EIB172
7	Motor Housing	7122A200	EIB051B
8	<b>Field Coil 240V</b>	<b>74224150</b>	<b>EIB056B-2</b>
8	<b>Field Coil 110V</b>	<b>74225150</b>	<b>EIB056B-1</b>
9	Self tapping screw C3.9 x 60	80201266	EIB038
10	Fan Cover	71323140	EIB001
11	O-Ring	83000036	EIB048
12	608 z Bearing	*****	UDC009
13	Circlip 28/1.2	80201333	EIB042
14	6001 2Z Bearing	*****	UDC002
15	Circlip 11/1	80201320	EIB143
16	<b>Armature 240V</b>	<b>7122H100</b>	<b>EIB052-2</b>
16	<b>Armature 110V</b>	<b>7122K100</b>	<b>EIB052-1</b>
17	Main Drive Gear	71323430	EIB004
18	washer 15/22 x 0.2	80200502	EIB061
19	6203 Bearing	*****	UDC014
20	Spindle MT2	71323420	EIB003
21	Gear Box	74222400	EIB002
22	Dowel 4 x 12	80200582	EIB179
23	Screw	80201206	EIB037
24	608 Bearing	*****	UDC009
25	Spur Gear	7132A470	EIB006
26	Twin Geared Shaft	71323500	EIB007
27	Gear Plate	74222610	EIB027
28	6904 Bearing	*****	UDC019
29	Key A5x5x12	80200601	EIB034
30	HK0810 Bearing	*****	UDC020
31	Trailer Gear	71223460	EIB131
32	Key A5x5x28	80200602	EIB034
33	Double Gear	71323440	EIB132
34	Circlip Ext 15mm	80201322	EIB040
35	Gear Change Assembly	71540545	EIB017
36	Gear Lever	71323520	EIB008
37	C/SK screw	80201296	EIB084
38			
39			
40	Printed Circuit Board 230v	74224280	EIB057B-2
40	Printed Circuit Board 110v	74225280	EIB057B-1
41	Screw HC 2.9 x 13	80201252	EIB196
42	Speed Control Knob	80500002	EIB045B
43	Gear Plate Shield	80900119	EIB083
44	Gear Box Gasket	82000054	EIB086

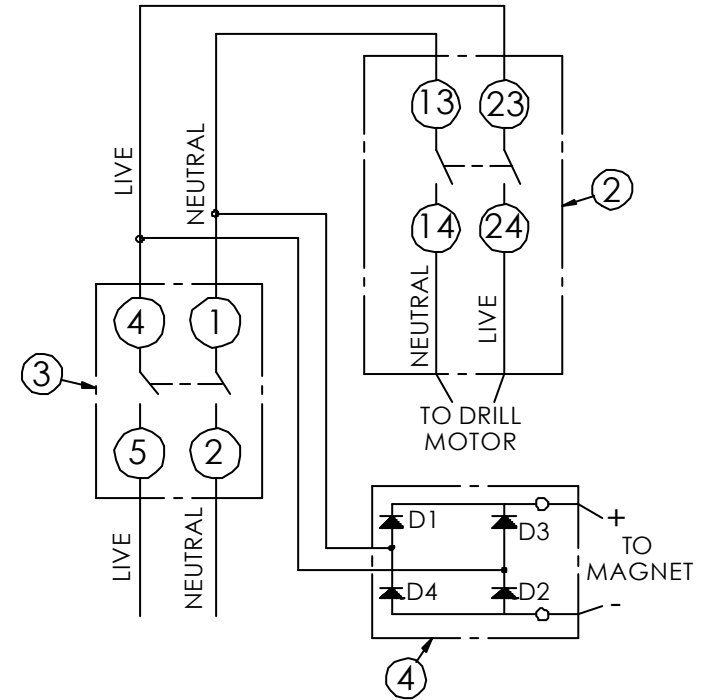
# MBQ50 Mechanical Switchplate (NCP Panel ) 120v



FRONT VIEW



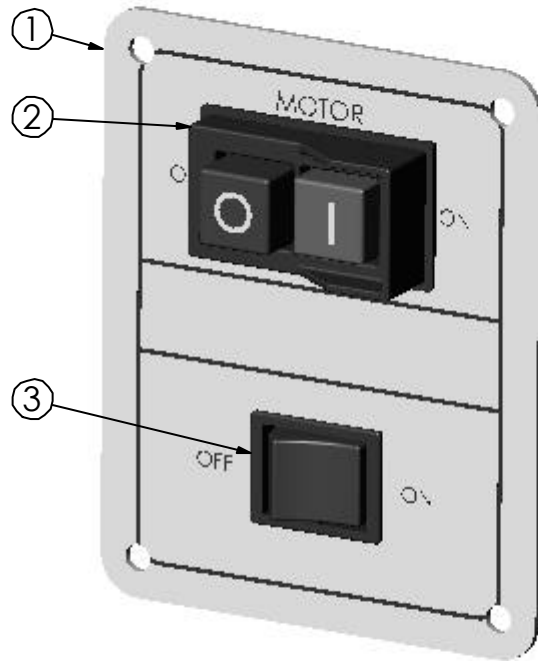
REAR VIEW



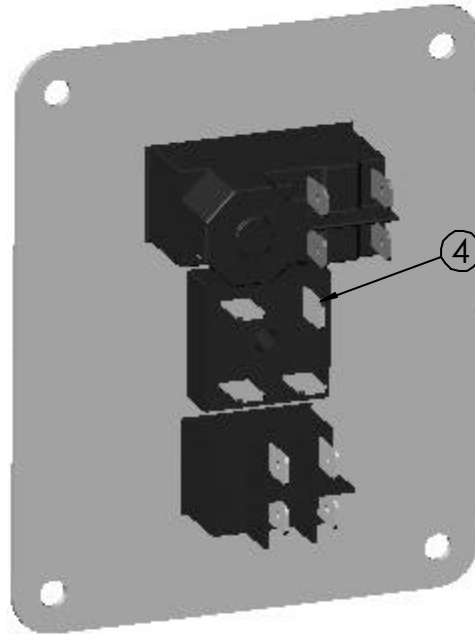
NOTES:  
1. ITEM4 TO BE BONDED  
TO REAR OF PLATE

ITEM NO.	QTY.	PART NO.	DESCRIPTION
1	1	NCP12	NCP SWITCH PLATE BLANK (MED)
2	1	NCP001	DRILL STOP/START SWITCH-120v
3	1	NCP006	MAGNET SWITCH-NCP PANEL
4	1	M0401	25A-BRIDGE RECTIFIER

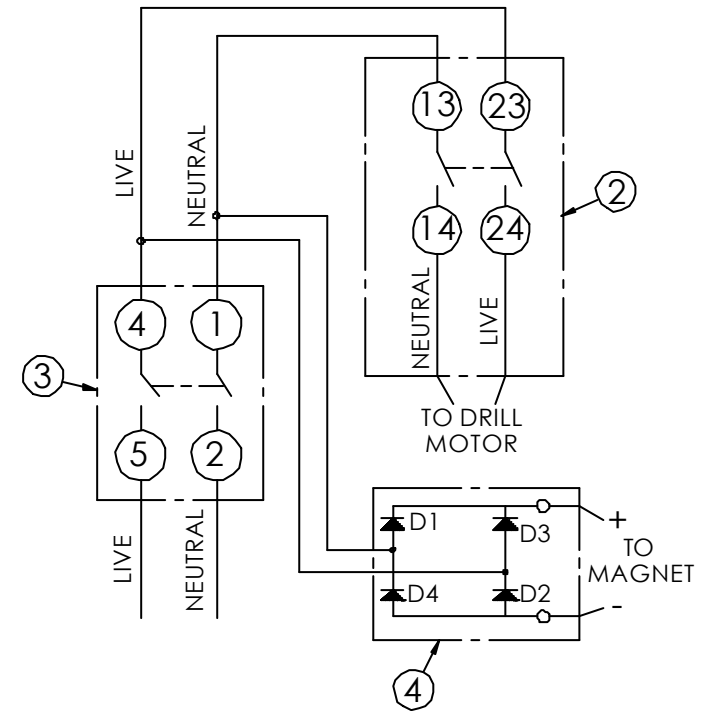
# MBQ50 Mechanical Switchplate (NCP Panel ) 240v



FRONT VIEW



REAR VIEW

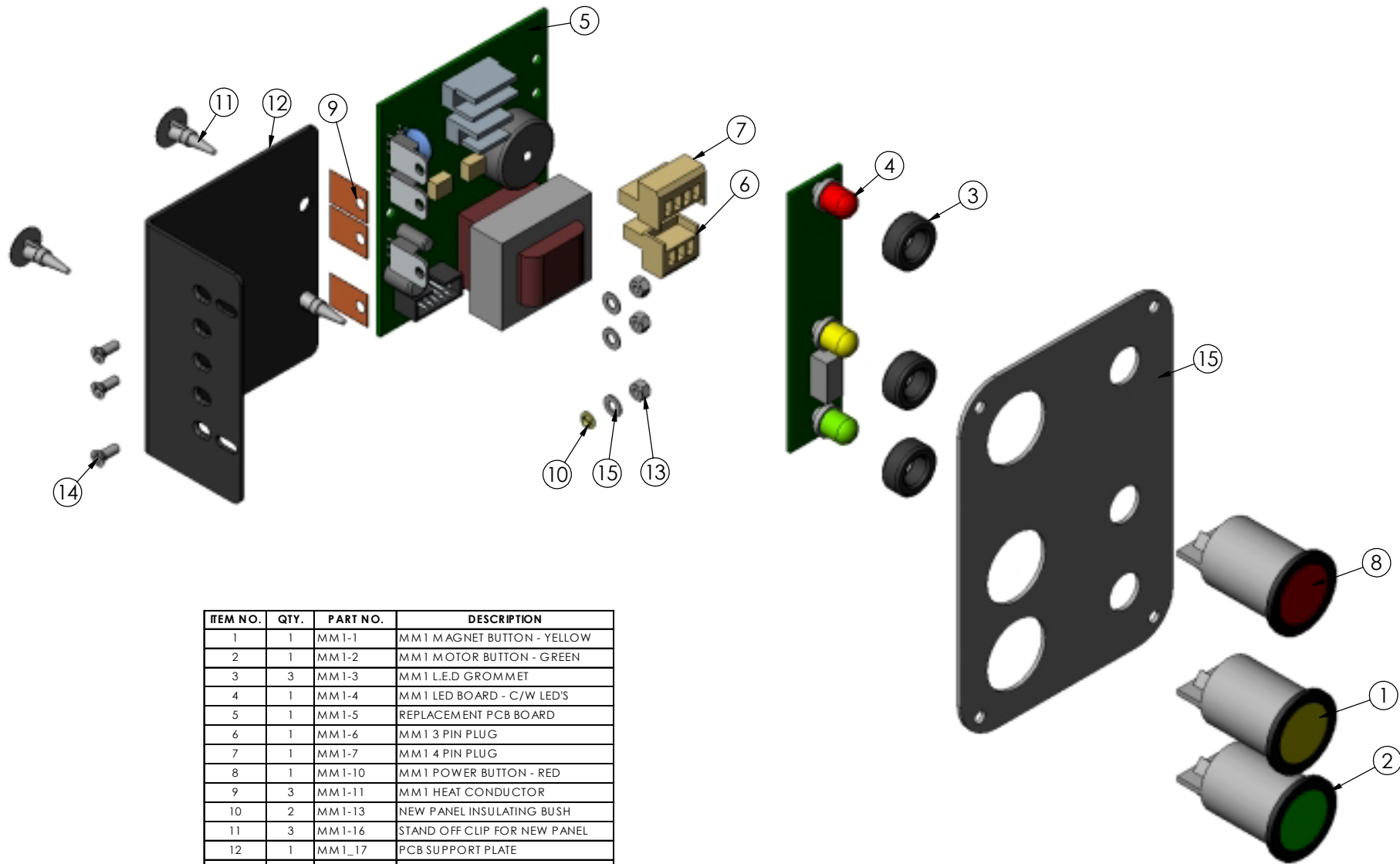


**NOTES:**

- 1. ITEM4 TO BE BONDED TO REAR OF PLATE

ITEM NO.	QTY.	PART NO.	DESCRIPTION
1	1	NCP12	NCP SWITCH PLATE BLANK (MED)
2	1	NCP002	DRILL STOP/START SWITCH-240v
3	1	NCP006	MAGNET SWITCH-NCP PANEL
4	1	M0401	25A-BRIDGE RECTIFIER

# MBQ50 Electronic Switchplate (Panel P) Dual voltage



ITEM NO.	QTY.	PART NO.	DESCRIPTION
1	1	MM1-1	MM1 MAGNET BUTTON - YELLOW
2	1	MM1-2	MM1 MOTOR BUTTON - GREEN
3	3	MM1-3	MM1 L.E.D GROMMET
4	1	MM1-4	MM1 LED BOARD - C/W LED'S
5	1	MM1-5	REPLACEMENT PCB BOARD
6	1	MM1-6	MM1 3 PIN PLUG
7	1	MM1-7	MM1 4 PIN PLUG
8	1	MM1-10	MM1 POWER BUTTON - RED
9	3	MM1-11	MM1 HEAT CONDUCTOR
10	2	MM1-13	NEW PANEL INSULATING BUSH
11	3	MM1-16	STAND OFF CLIP FOR NEW PANEL
12	1	MM1_17	PCB SUPPORT PLATE
13	3	NUT-M3	M3 NYLOC NUT
14	3	SC36CSK-X	M3 X 6 C'SINK CROSS HEAD SCREW
15	1	-	PANEL FACIA PLATE